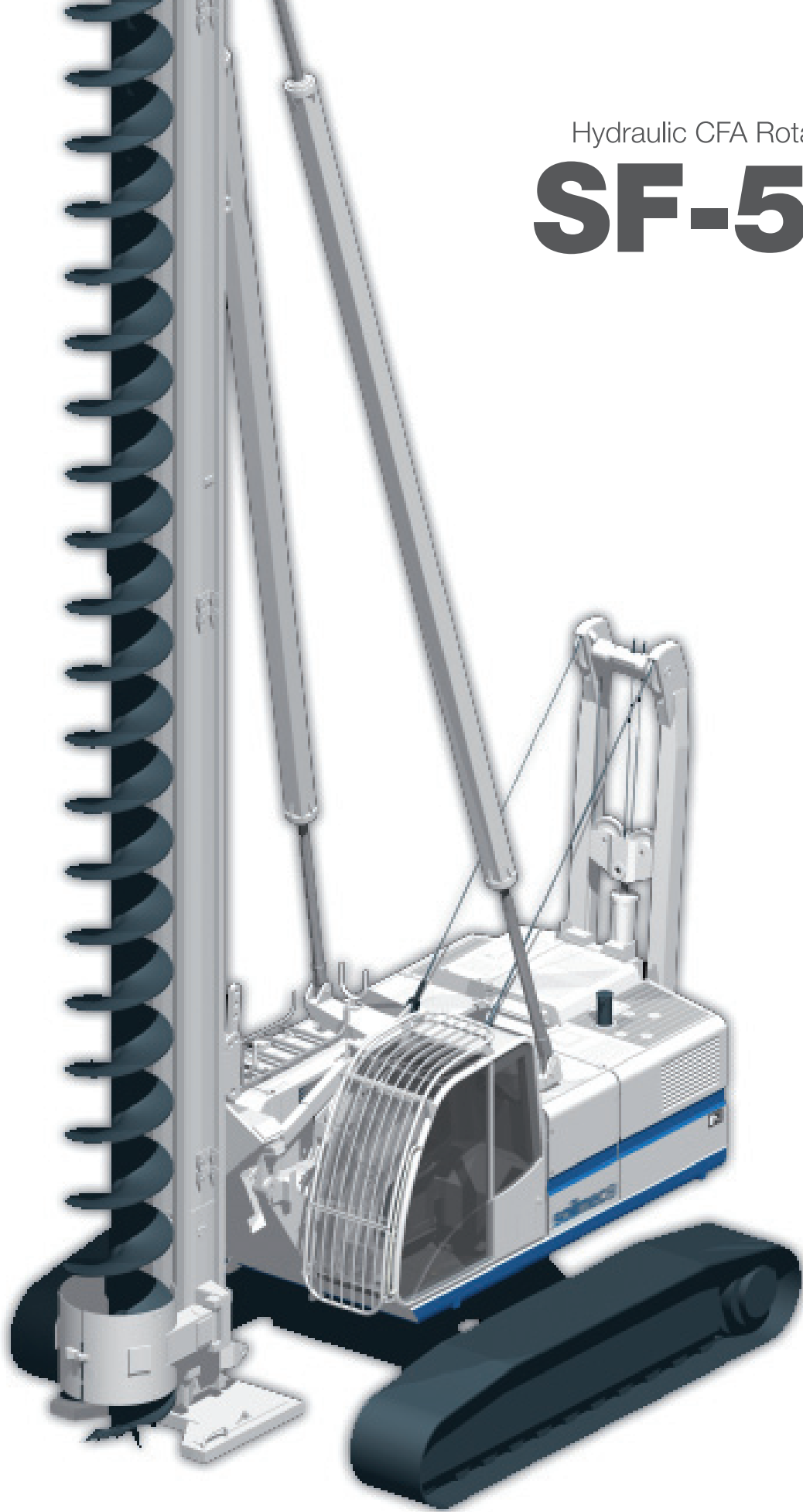


Hydraulic CFA Rotary Rig

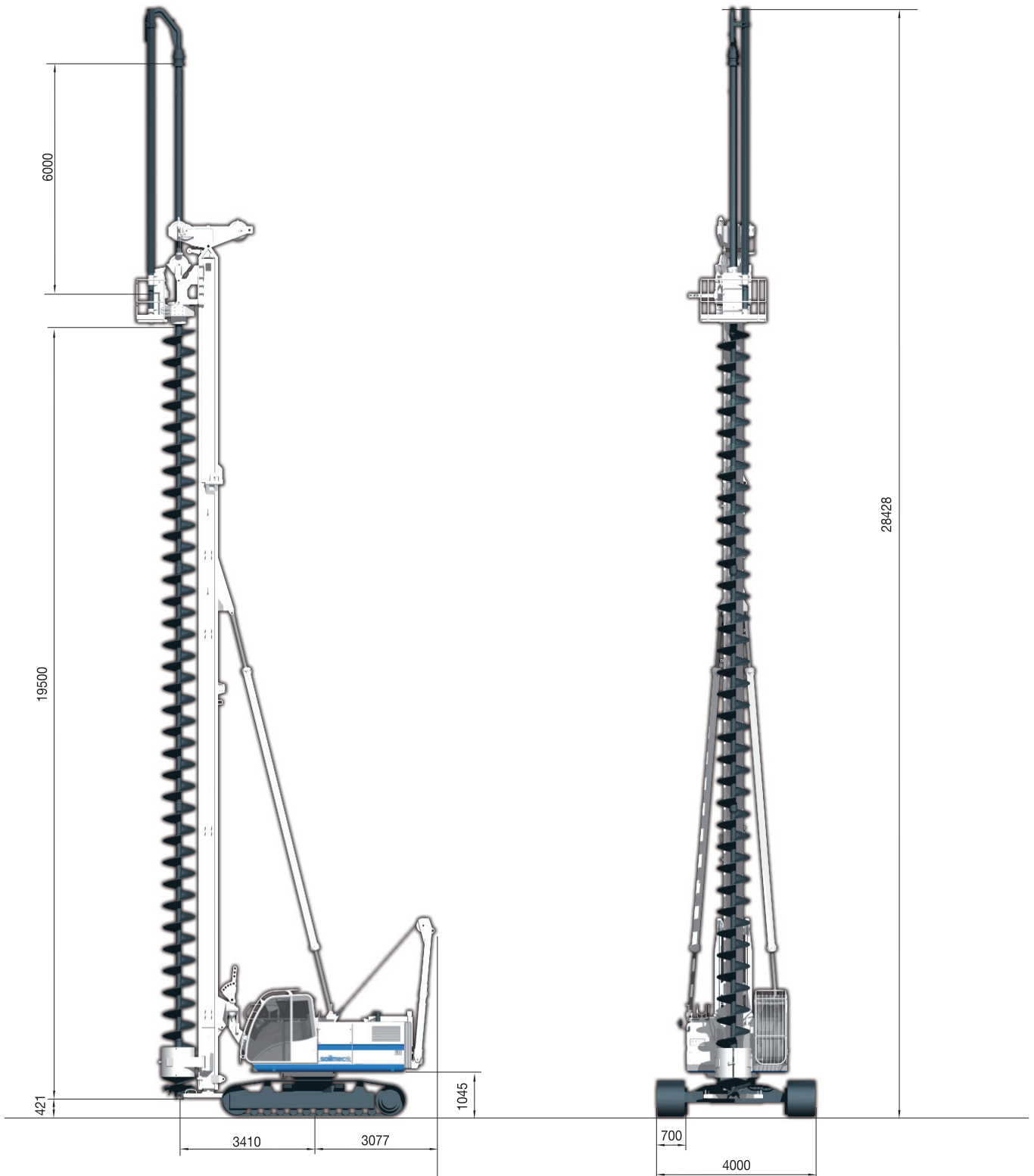
SF-50



soilmec 
Drilling and Foundation Equipment

SF-50 Hydraulic CFA Rotary Rig

APPLICATIONS



| | | |
|--|-----------------|-------------------|
| Operating weight (w/o auger) | 35000 kg | 77162 lb |
| Max pile diameter | 900 mm | 35.43 in |
| Max pile depth w/o auger cleaner c/w 6 m auger extension | 25 m | 82 ft |
| Max pile depth with auger cleaner c/w 6 m auger extension | 23,5 m | 77 ft |
| Max extraction force | 510 kN | 114651 lbf |

SF-50 Hydraulic CFA Rotary Rig

TECHNICAL DATA SHEET

| | | |
|--|------------------------------------|------------------------------------|
| Engine | Cummins QSB6.7 | <i>Cummins QSB6.7</i> |
| - Rated output | 164 kW @ 2200 rpm | <i>220 HP @ 2200 rpm</i> |
| - Engine conforms to Exhaust emission Standard | EU stage IV, US EPA Tier 4f | <i>EU stage IV, US EPA Tier 4f</i> |
| - Diesel tank capacity | 375 l | <i>99 US gal</i> |
| Hydraulic system | | |
| - Main pump | 320 l/min | <i>85 US gal/min</i> |
| - Auxiliary pumps | 24 - 24 - 36 l/min | <i>6 - 6 - 10 US gal/min</i> |
| - Hydraulic oil tank capacity | 350 l | <i>92 US gal</i> |
| Undercarriage | retractable crawler frames | <i>retractable crawler frames</i> |
| - Track shoes width | 700 mm | <i>28 in</i> |
| - Overall width of crawlers retracted | 2500 mm | <i>99 in</i> |
| - Overall width of crawlers extended | 4000 mm | <i>158 in</i> |
| - Overall length of crawlers | 4660 mm | <i>184 in</i> |
| - Traction force | 280 kN | <i>62945 lbf</i> |
| - Travel speed | 2 km/h | <i>1.2 mph</i> |
| Rotary Drive | | |
| - Max torque (intermittent) | 100 kNm | <i>73755 lbf*ft</i> |
| - Rated torque | 87 kNm | <i>64168 lbf*ft</i> |
| - Speed of rotation | 40,9 rpm | <i>40.9 rpm</i> |
| Crowd winch system (optional) | | |
| - Pull down force | 37 kN | <i>8318 lbf</i> |
| - Stroke | 19572 mm | <i>770.55 in</i> |
| - Rope diameter | 12 mm | <i>0.47 in</i> |
| Main winch | controlled descent | <i>controlled descent</i> |
| - Line pull (1st layer) | 102 kN | <i>22930 lbf</i> |
| - Rope diameter | 19 mm | <i>0.75 in</i> |
| - Line speed (max.) | 67 m/min | <i>220 ft/min</i> |
| Auxiliary winch | controlled descent | <i>controlled descent</i> |
| - Line pull (1st layer) | 41 kN | <i>9217 lbf</i> |
| - Rope diameter | 16 mm | <i>0.63 in</i> |
| - Line speed (max.) | 87 m/min | <i>285 ft/min</i> |
| Mast inclination | | |
| - Backward/Forward/Lateral | 10°/4°/3° | <i>10°/4°/3°</i> |

Soilmec integrates high quality level components: Gearmatic, Hydromatic, Lohmann, Rothe erde, Trasmital, Zollern.

STANDARD EQUIPMENT

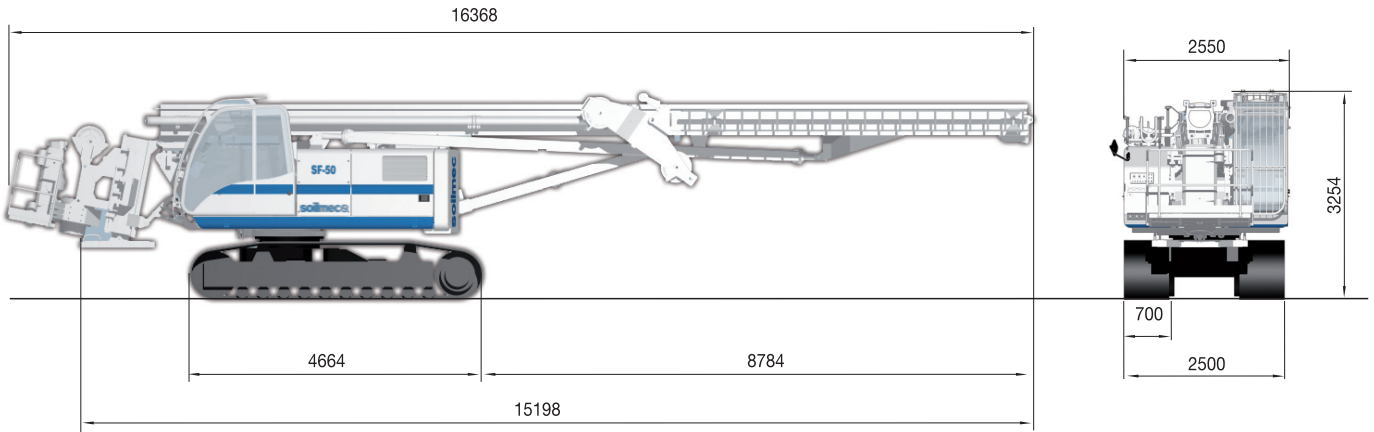
- Emergency mode of operation for engine
- Engine diagnostic system
- Diagnostic panel for hydraulic functions
- Transport securing lugs on crawler units
- Access ladder on upper carriage
- On-board lighting set
- On-board tool set
- Electric refuelling pump
- High-comfort operator's cab
- Protective roof grate (FOPS compliant)
- Air conditioning system
- Radio and CD player
- DMS system electronic monitoring and visualization system

OPTIONAL EQUIPMENT

- Biodegradable oil
- Pull down winch
- Kit for 360° rotation
- Swivel for auxiliary rope
- Videocamera attachment
- Radio control for tramping
- Track shoes 900 mm wide
- Handrails for upper structure
- EU Stage IIIA, US EPA Tier3 diesel engine

SF-50 Hydraulic CFA Rotary Rig

TRANSPORT, DIMENSIONS AND WEIGHTS



All technical data are purely indicative and subject to change without notice

| Transport configuration | | |
|-------------------------|----------|----------|
| Width | 2550 mm | 100 in |
| Length | 16368 mm | 644 in |
| Weight | 33300 kg | 73414 lb |

Technical data sheet SF50-003 02-2016

This brochure has been edited and distributed by SOILMEC Spa. The present document cancels and override any previous ones. This brochure shall not be distributed, reproduced or exhibited without SOILMEC Spa. authorization in accordance with to SOILMEC web site disclaimer condition.

SOILMEC Spa distributes machinery and structures all over the world, supported by SOILMEC Spa subsidiary companies and dealers. The complete Soilmec network list is available on the web site www.soilmec.it