



Compact Excavators & Crawlers

N SERIES

NX SERIES

70Z

Cra

IHI PRODUCT LINE

N SERIES

NX SERIES

FEATURES

ATTACHMENTS

70Z

CRAWLER CARRIERS

SPECIFICATIONS

CUSTOMER SERVICE

CONTACT US

COMPANY PROFILE

CES HOME PAGE

IHI HOME PAGE

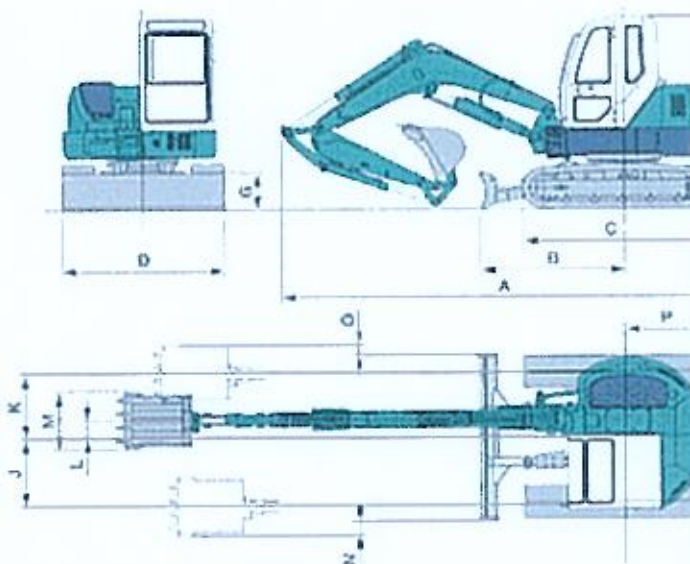
UPCOMING SHOWS

MAINTENANCE TIPS

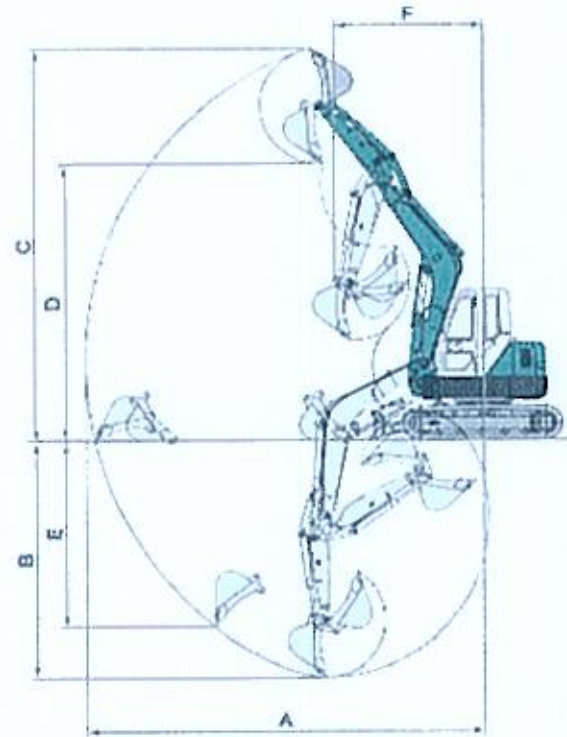
NON CURRENT MODELS

BROCHURE PDFs

### 80NX-3 Specifications



Dimensions	A	B	C	D	E	F	G	H	I	J	K	L
80NX-3	19'8"	6'4"	8'11"	7'3"	2'3"	8'6"	1'8"	1'6"	6'11"	4'4"	4'1"	9"



#### Working Ranges 80NX-3

A	Max Digging Radius	22'4"
B	Max Digging Depth	14'1"
C	Max Digging Height	22'3"
D	Max Dumping Height	15'7"
E	Max Vertical Digging Depth	10'10"
F	Min Front Turning Radius	8'5"
	At Right Boom Swing	7'3"
	Digging Force	14,730 lbs.

#### Specifications

##### Basic Specifications

Canopy	4 Post/ Cabin
Bucket Capacity	8.8 cu. ft.
Operating Weight	18,100 lbs.
Transports Weight	17,635 lbs.

##### Engine

Model	Isuzu AA-4JG1
Horsepower	56.3 @ 2,100 rpm
Fuel Tank Capacity	18.5 gals

##### Dimensions

Lenght	19'8"
--------	-------

Width	7'3"
Height	8'5"
Hydraulic Equipment	
Pumps	4
Type-Piston/Gear	2 Piston/2 Gear
Total Flow	51.8 gpm
Operating Pressure	3.550 psi
Auxiliary Flow	18.9 gpm
Features	
Travel Speed L/H	1.6/2.7 mph
Ground Pressure	5.2 psi
Swing Speed	9.2 rpm
Swing Angle	L50°/R80°

**Features:****Attachments:**

[PRODUCT LINE](#)
[ATTACHMENTS](#)
[CRAWLER CARRIERS](#)
[FEA](#)  
[SPECIFICATIONS](#)
[CUSTOMER SERVICE](#)
[CONTACT US](#)  
[COMPANY PROFILE](#)
[BROCHURE DOWNLOADS](#)

U.S. Sales Distributed by Compact Excavator Sales, LLC. 202 Production Drive, Eliz